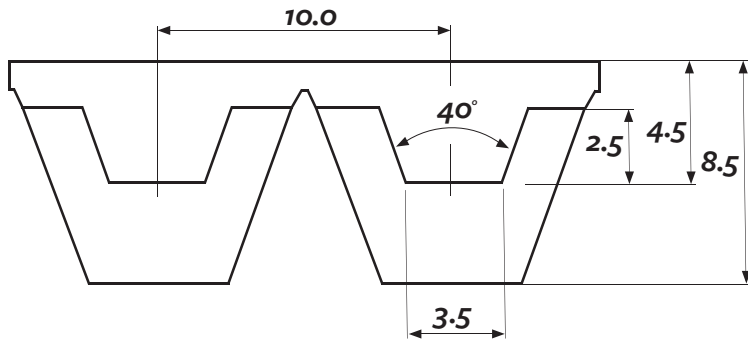


# TK10 K13 Steel Cords



FLEX = Truly endless  
 M = Open length  
 V = Endless with a splice

## Product details

Hardness :	92 °Shore A
Tensile members :	Steel Ø0.6mm
Width tolerance :	± 0.5mm
Thickness tolerance :	± 0.3mm
Length tolerance :	± 0.8mm/meter
Weight per meter :	±165g /per 32mm belt width

## Minimum Pulley diameter

Min. nr. of teeth	Min. nr. of teeth	Idler min Ø	Min. nr. of teeth	Idler min Ø
25	25	80mm	25	80mm

## Allowable Tensile Load (N)

Belt width	M	V	FLEX
32	2.600	1.300	
50	4.400	2.200	
75	6.600	3.300	
100	8.800	4.400	

## Breaking Load (N)

Belt width	M	V	FLEX
32	10.270	5.130	
50	17.380	8.690	
75	26.070	13.030	
100	34.760	17.380	

The specifications listed are based on NK-Technics experience. However, our specifications and data do not cover all possible belts drive conditions. It is the responsibility of the belt drive system engineer to ensure NK-Technics belts are appropriate for a given system and application. The provided data represent our in-house experience and does not necessarily match product performance in industrial use. NK-Technics cannot assume any liability concerning the suitability and process ability of our products. We also cannot assume liability for process results, damage or consequential damages associated with the use of our products.

Do not use NK-Technics.com belts in applications that depend solely upon the belt to raise/lower, support or sustain a mass without an independent safety backup system.

ALL INFORMATION CONTAINED ARE SUBJECT TO CHANGE WITHOUT NOTICE.